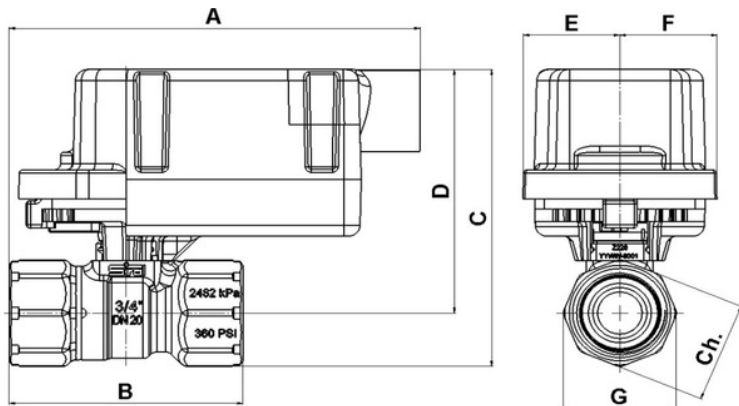
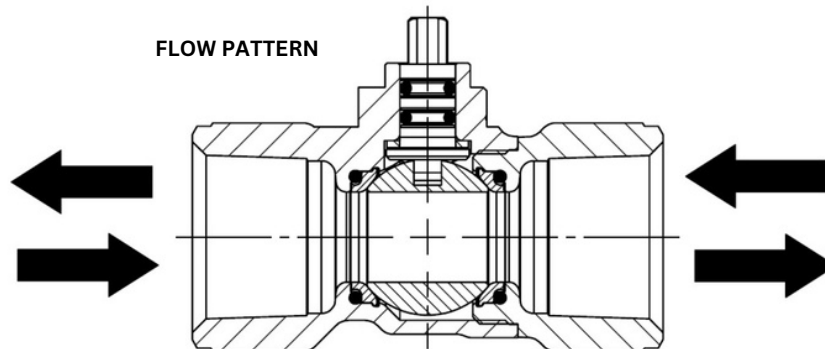


**Z215F SERIES  
BRASS BALL AND STEM, 2-WAY, FEMALE NPT**



**MADE IN ITALY**

**SPECIFICATION**

BRASS BODY  
 SIZES: 1/2" - 3/4"  
 CONNECTION: FEMALE NPT  
 NON FAIL SAFE (FAIL SAFE OPTIONAL AVAILABLE)  
 PRESSURE:  
   360 PSI (BODY)  
   80 PSI (CLOSE OFF)  
   40 PSI (DIFFERENTIAL)  
 TEMPERATURE: 0°F TO 212°F  
 APPLICATION: HOT AND COLD WATER, COMPRESSED AIR, OILS, NON-HALOGENATED, NON-AGGRESSIVE FLUIDS  
 DIRECTION OF FLOW: IN BOTH WAYS

**COMPONENTS**

N°	DESCRIPTION	MATERIAL
1	BODY	BRASS
2	BALL	BRASS, CHROME PLATED
3	STEM	BRASS, CHROME PLATED
4	SEATS	PTFE
5	CHARACTERISING DISC	N/A
6	O-RING	EPDM

**DIMENSIONS**

CODE	SIZE	B	C	G	DN	INCHES
Z215F-005	1/2"	2.32	1.07	1.04	15	
Z215F-007	3/4"	2.68	1.26	1.3	20	