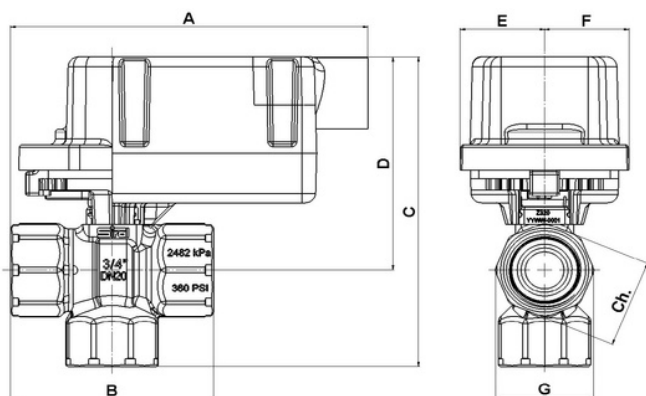
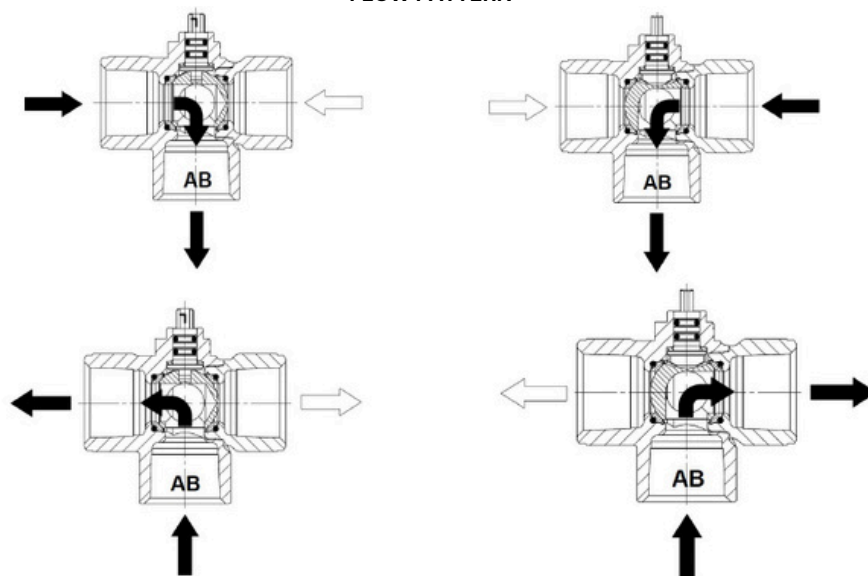


Z315F SERIES BRASS BALL AND STEM, 3-WAY, FEMALE NPT

FLOW PATTERN



MADE IN ITALY

SPECIFICATION

BRASS BODY
 SIZES: 1/2" - 3/4"
 CONNECTION: FEMALE NPT
 NON FAIL SAFE (FAIL SAFE OPTIONAL AVAILABLE)
 PRESSURE:
 360 PSI (BODY)
 80 PSI (CLOSE OFF)
 40 PSI (DIFFERENTIAL)
 TEMPERATURE: 0°F TO 212°F
 APPLICATION: HOT AND COLD WATER, COMPRESSED AIR, OILS, NON-HALOGENATED, NON-AGGRESSIVE FLUIDS
 DIRECTION OF FLOW: IN BOTH WAYS

COMPONENTS

| N° | DESCRIPTION | MATERIAL |
|----|---------------------|----------------------|
| 1 | BODY | BRASS |
| 2 | BALL | BRASS, CHROME PLATED |
| 3 | STEM | BRASS, CHROME PLATED |
| 4 | SEATS | PTFE |
| 5 | CHARACTERISING DISC | N/A |
| 6 | O-RING | EPDM |

DIMENSIONS

| CODE | SIZE | B | C | G | DN |
|-----------|------|------|------|------|----|
| Z315F-005 | 1/2" | 2.32 | 1.71 | 1.04 | 15 |
| Z315F-007 | 3/4" | 2.68 | 1.91 | 1.3 | 20 |

INCHES